



FOOD SERVICE RESOURCES

www.fsrfoodservice.com

800-367-4421

JOB _____ ITEM # _____

SMART•THERM™ INDUCTION CHARGER



MODEL: 611120 (120V) 611220 (208V/240V)

Application

The ideal Induction Charging System for room service, meal delivery, trayline and boosting applications.

Construction

Charger shall be manufactured in the United States and constructed with the main body of stainless steel. Charger shall be equipped with a microprocessor that performs unique, patent pending temperature control, automatic standby/shut-off, self-diagnostics, and a pan maximizer feature that ensures maximum heating of induction compatible pan. Charger shall have an automatic sensor for use with Dinex® bases and an adjustable electronic control with 10 power cook settings. Charger shall have a 10-LED panel to show either portion of charge completed or cooking power level depending on what mode charger is in. Induction cooking requires the use of induction cookware.

Standard Features

- Countertop design, stainless steel housing, heavy duty electronic components, and high impact 4mm thick ceramic-glass top engineered for use in commercial kitchens.
- User-friendly control buttons for ease of use and automatic power control.
- 2 modes of operation, either Smart•Therm™ mode or Cooktop mode.
- Visible LED display & audible alert for precise user feedback.
- Automatic standby/shut-off feature.
- Easy-to-clean ceramic-glass top surface.
- Integral cooling fan keeps internal electronics cool.
- Available in (single phase) 120V, and 208V/240V.
 - 208V base cycle time approx. 22 seconds.
 - 240V base cycle time approx. 17 seconds.
 - 120V base cycle time approx. 30 seconds.
- Note: Fluctuation in voltage may effect heating cycle time.
- 100% made in the USA.

Smart-Therm™ Induction Charger

- 611120 (120V)
- 611220 (208V/240V)

Smart-Bases For Smart-Therm™

- 511011 - Onyx
- 511012 - Mauve
- 511020 - Cranberry
- 511027 - Gray
- 511028 - Midnight Blue
- 511036 - Hunter Green

Drying & Storage Racks For Smart•Therm™ Bases

- IBDRS/90 - Holds 90 Induction Bases
- IBDRS/180 - Holds 180 Induction Bases
- IBDRS/270 - Holds 270 Induction Bases

Replacement Cradle for Storage Rack

- 10251

Smart•Therm™ Mode

- Senses Dinex® Smart•Base™ automatically and gives the correct amount of energy to get correct temperature every time.
- Microprocessor monitors vital components and runs a performance check on average of 120 times per second. Charger shuts off and displays error codes enabling user to diagnose or identify minor problems.
- Uses new, durable Dinex® Smart•Base™.
- Audible signal when cycle is complete.
- Maintains plate temperature for 60 minutes (with proper food and plate temperature).

Warranty

One year parts and labor.

FOOD SERVICE RESOURCES

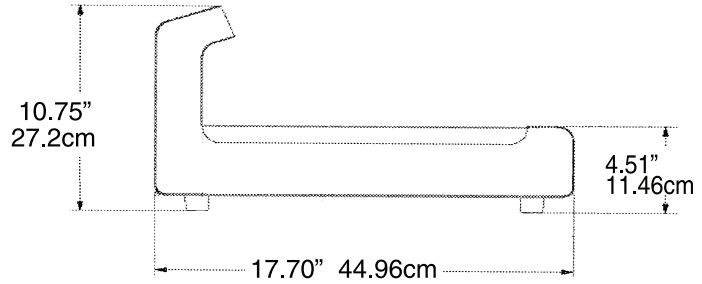
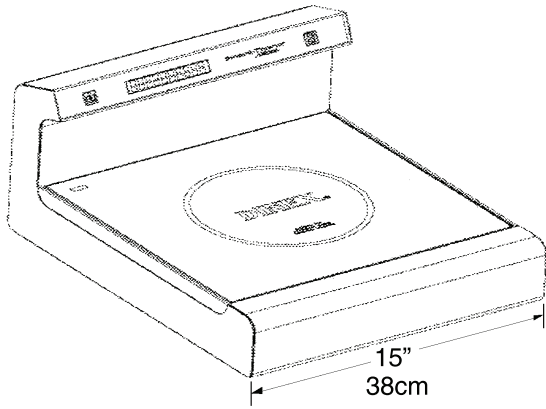
5350 McEver Road Suite A
Flowery Branch, GA 30542

Fax: 770-965-6938

1-800-367-4421

! WARNING: Do not heat Smart•Bases in cooktop mode. Doing so will void warranty. Locator must be in place before charging bases in Smart•Therm mode.

SMART•THERM™ INDUCTION CHARGER



IMPORTANT

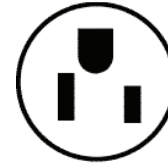
**DO NOT CHARGE BASE IN
COOKTOP MODE**

**LOCATOR MUST BE IN PLACE
WHEN CHARGING BASES**

PLUG CONFIGURATION

611120
120V

611220
208V/240V



NEMA 5-15P

NEMA L6-20P

Specifications

	611120	611220
Power requirements	120V, single phase	208V-240V single phase
Power consumption	1800 Watts	3840 Watts
Voltage	120V 50/60Hz	208V/240V 50/60HZ
Amperage (average)	15 amps (at max. setting)	16 amps (at max. setting)
Power range	180-1800W	350-3840
Dimensions	17.7L x 15.0W x 10.7H (in.) 44.9L x 38.1W x 27.2(cm)	17.7L x 15.0W x 10.7H (in.) 44.9L x 38.1W x 27.2(cm)
Weight	23 lbs (10.4 kg)	23 lbs (10.4 kg)
Packaged weight	27 lbs (12.2 kg)	27 lbs (12.2 kg)
Packaging dimensions	24"L x 23.5W x 14.25"H (in.) 60.9L x 59.6W x 36.2H(cm)	24"L x 23.5W x 14.25"H (in.) 60.9L x 59.6W x 36.2H(cm)
North American Cord length & plug*	6 ft, NEMA 5-15P	6ft, NEMA L6-20P
Warranty	One year parts & labor	One year parts & labor
Physical clearance	2" (5.0 cm) away from walls or other structures at front, sides, and rear	2" (5.0 cm) away from walls or other structures at front, sides, and rear
Ship Weight	23 lbs. (10.4kg)	23 lbs. (10.4kg)
Ship Cube	1.6	1.6

*International cord length = 1.8m (6 ft).

! WARNING: Do not heat Smart•Bases in cooktop mode. Doing so will void warranty. Locator must be in place before charging bases in Smart•Therm mode.

Please confirm that you have the most current specification sheet by visiting www.dinex.com.
Dinex® reserves the right to change specifications and product design without notice.
Such revisions do not entitle the buyer to corresponding changes, improvements, additions or replacements for previously purchased equipment.

Printed in USA

FOOD SERVICE RESOURCES

5350 McEver Road Suite A
Flowery Branch, GA 30542

Fax: 770-965-6938

1-800-367-4421